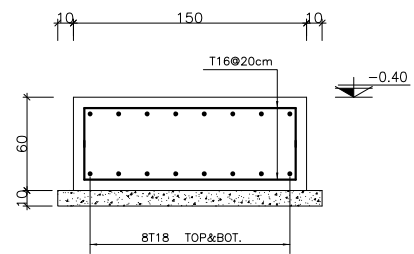


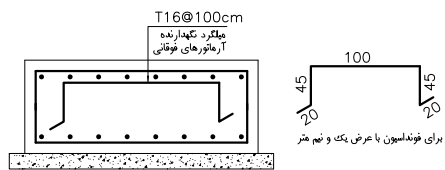
FOUNDATION FORMWORK & REINFORCEMENT PLAN

SC. 1:100



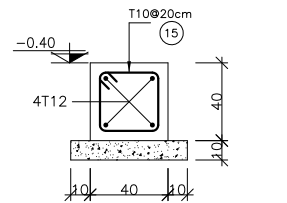
TYP. SECTION 1-1

SC. 1/25



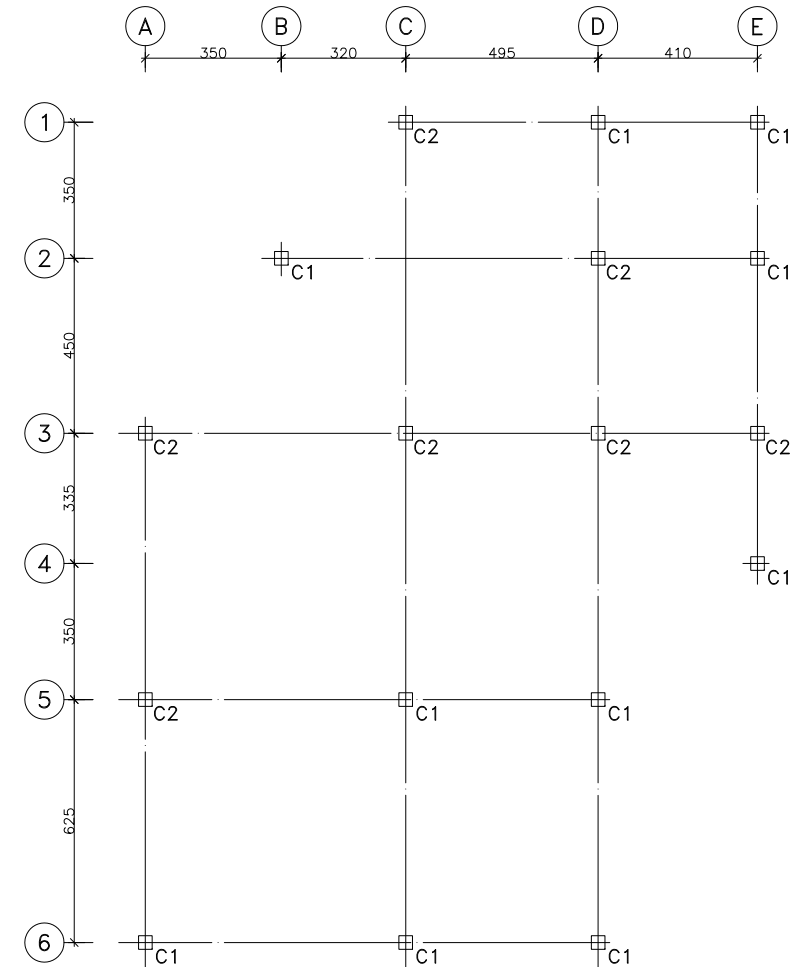
TYPICAL SECTION

SC. 1/25



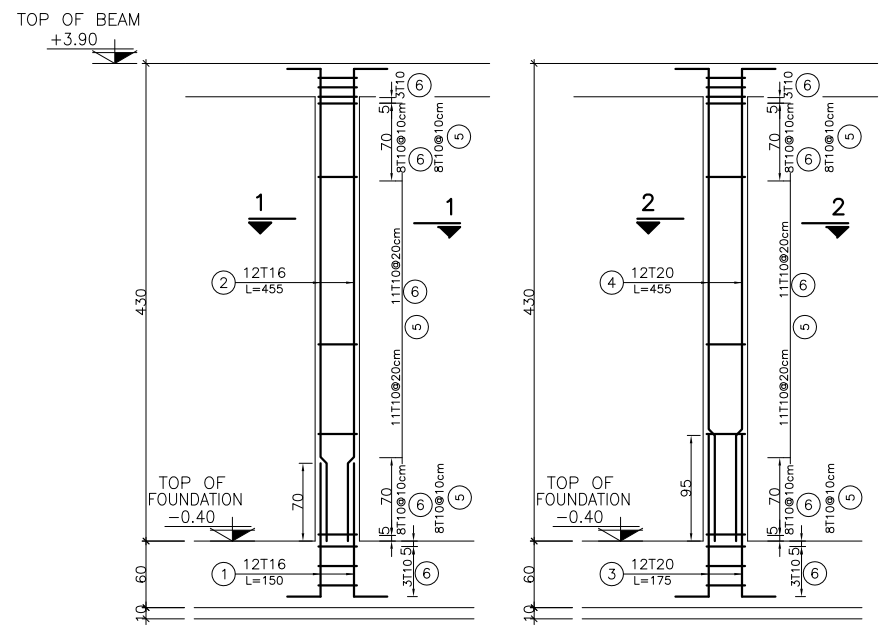
TIE BEAM TB-1

SC. 1/20



COLUMN LOCATION PLAN

SC. 1:100

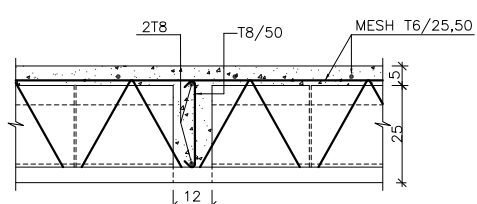


COLUMN C1

SC. H.1:35 NO.=10

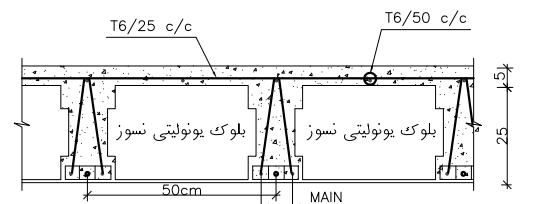
COLUMN C2

SC. H.1:35 NO.=7



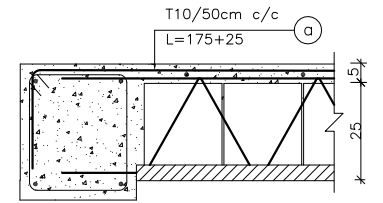
TYPICAL RIB SECTION

SC.1/10



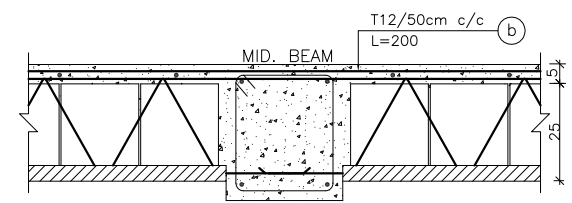
TYPICAL JOIST BLOCK

SC.1/10



TYPICAL SEC. AT END BEAMS

SC.1/10

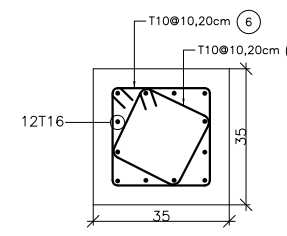


TYPICAL SEC. AT MID. BEAMS

SC.1/10

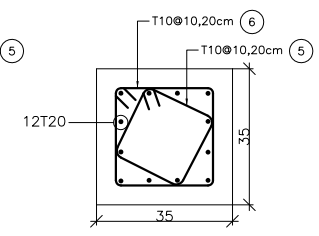
FOUNDATION BAR BENDING LIST

Pos	∅	Shape	L	No.	T10	T16	T18
1	T16	25 140 25	1.9	900		1710	
2	T16	990	9.9	4		39.6	
3	T18	25 1070	10.95	16			175.2
4	T18	25 780	8.05	16			128.8
5	T18	25 1025	10.5	48			504
6	T18	25 370	3.95	32			126.4
7	T18	25 630 25	6.8	16			108.8
8	T18	25 1040 25	10.9	16			174.4
9	T18	25 765 25	8.15	16			130.4
10	T18	25 575	6	16			96
11	T18	25 755	7.8	16			124.8
12	T18	25 940 25	9.9	16			158.4
13	T18	25 1175	12	48			576
14	T18	25 375	4	16			64
15	T10	30 30 10	1.4	31	43.4		
TOTAL LENGTH OR AREA (m)					43.4	1749.6	2367.2
UNIT WEIGTH (Kg)					0.617	1.578	1.998
WEIGTH (Kg)					26.78	2760.87	4729.67
GRAND TOTAL (Kg)					7517 Kg.		



SECTION 1-1

SC. 1:10



SECTION 2-2

SC. 1:10

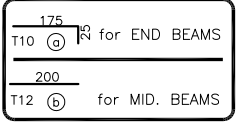
COLUMN BAR BENDING LIST

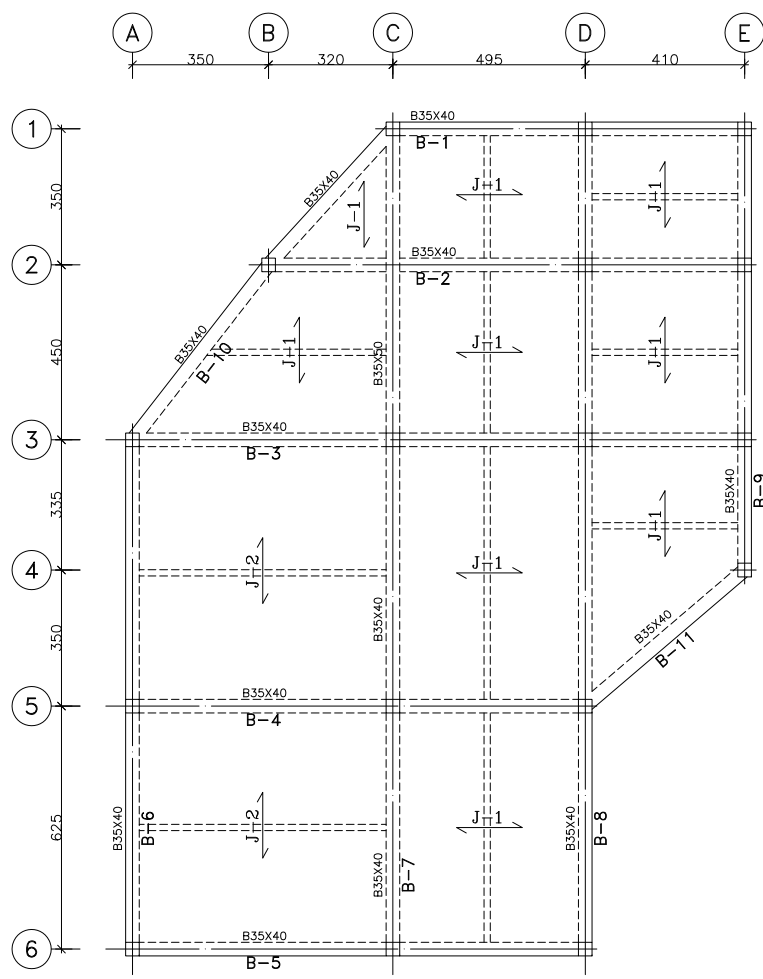
Pos	∅	Shape	L/A	No.	T10	T16	T20
1	T16	30 120	1.5	120		180	
2	T16	30 425	4.55	120		546	
3	T20	30 145	1.75	84			147
4	T20	30 425	4.55	84			382.2
5	T10	20 20 10	1	459	459		
6	T10	25 25 10	1.2	561	673.2		
TOTAL LENGTH (m)					1132.2	726	529.2
UNIT WEIGTH (Kg)					0.617	1.578	2.466
WEIGTH (Kg)					698.57	1145.63	1305.01
GRAND TOTAL (Kg)					3149 Kg.		

BEAM BAR BENDING LIST

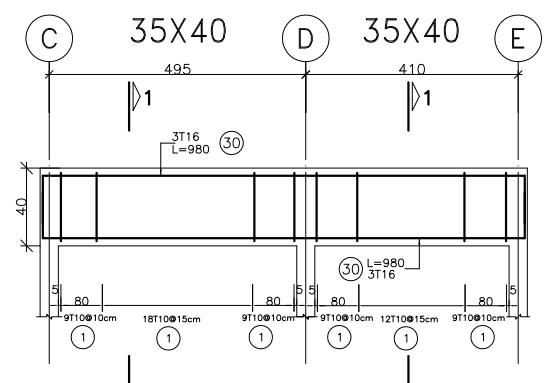
Pos	∅	Shape	L/A	No.	T10	T12	T16
1	T10	30 25 10	1.3	963	1251.9		
2	T16	25 565 25	6.15	6			36.9
3	T16	25 1070 25	11.2	6			67.2
4	T16	25 225	2.5	3			7.5
5	T16	25 205	2.3	3			6.9
6	T16	25 1045	10.7	10			107
7	T16	25 1015	10.4	6			62.4
8	T16	25 220	2.2	3			6.6
9	T16	25 1175	12	14			168
10	T16	25 1040	10.65	7			74.55
11	T10	40 25 10	1.5	56	84		
12	T16	25 595	6.2	3			18.6
13	T16	25 395	4.2	3			12.6
14	T12	25 185	2.1	2		4.2	
15	T16	25 820	8.45	3			25.35
16	T16	25 1025	10.5	3			31.5
17	T16	25 405	4.3	6			25.8
18	T16	25 295	3.2	6			19.2
19	T16	25 865	8.9	9			80.1
20	T16	25 975	10	9			90
21	T12	25 400	4	2		8	
22	T16	25 815	8.4	3			25.2
23	T16	25 705	7.3	3			21.9
24	T16	25 185	2.1	1			2.1
25	T12	25 215	2.4	1		2.4	
26	T16	25 315	3.4	3			10.2
27	T16	25 280	2.85	3			8.55
28	T16	25 250	2.5	1			2.5
29	T16	25 1075	11	3			33
30	T16	25 930 25	9.8	6			58.8
31	T16	25 300	3	1			3
TOTAL LENGTH (m)					1335.9	14.6	1005.45
UNIT WEIGTH (Kg)					0.617	0.888	1.578
WEIGTH (Kg)					824.25	12.96	1586.6
GRAND TOTAL (Kg)					2424 Kg.		

FOUN. FORMWORK & MAIN REINF. PLAN & SEC. & TYPICAL JOIST BLOCK DET.

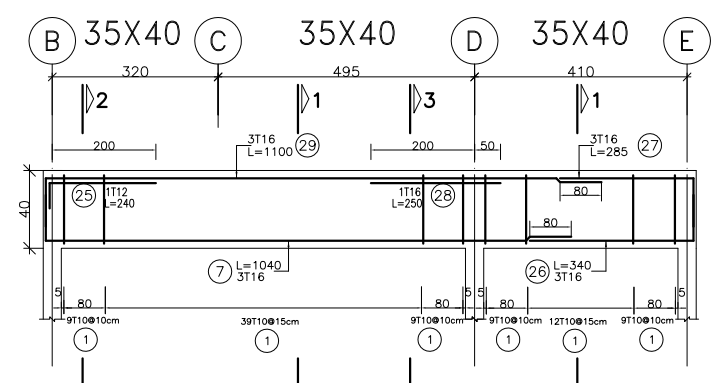




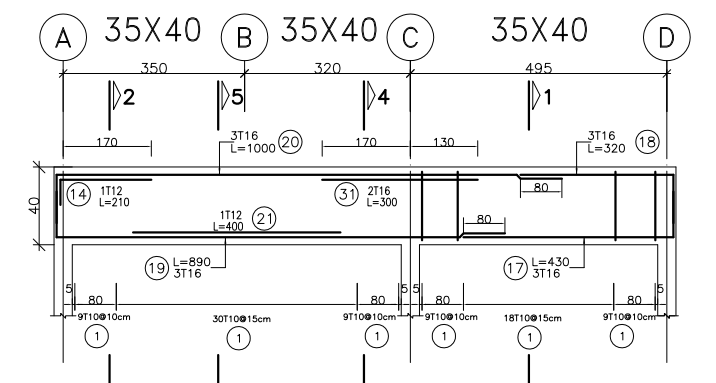
TOP OF CONCRETE SLAB +3.90
FRAMING AND DOWEL OF JOIST BL. ARR. PLAN
SC. 1:100



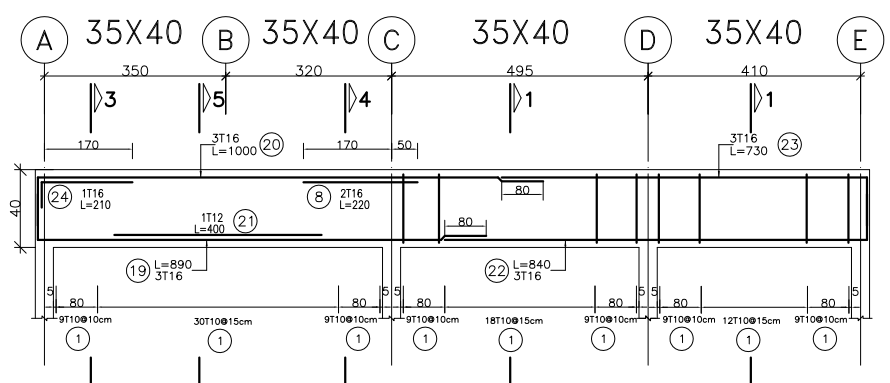
BEAM TYPE B-1
SC. H-1:75 V-1:20 NO.=1



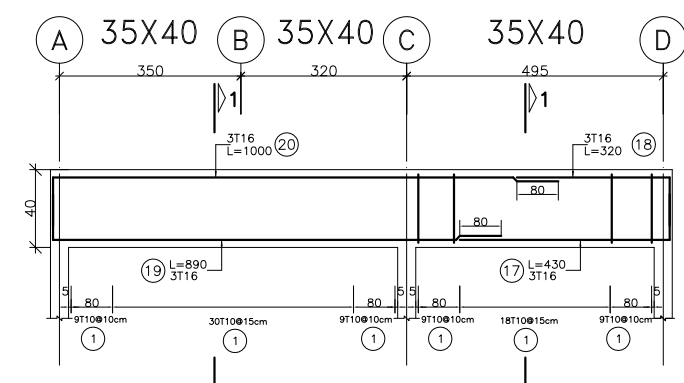
BEAM TYPE B-2
SC. H-1:75 V-1:20 NO.=1



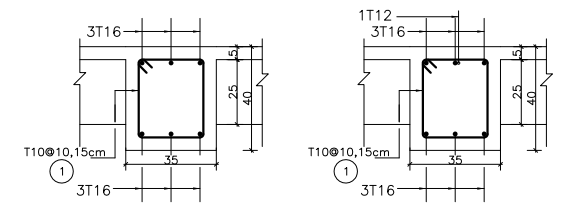
BEAM TYPE B-4
SC. H-1:75 V-1:20 NO.=1



BEAM TYPE B-3
SC. H-1:75 V-1:20 NO.=1

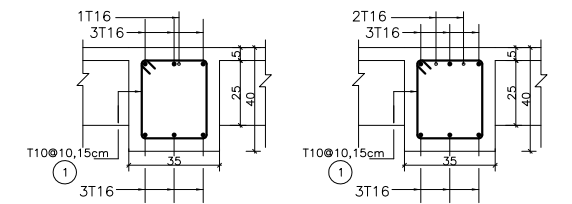


BEAM TYPE B-5
SC. H-1:75 V-1:20 NO.=1



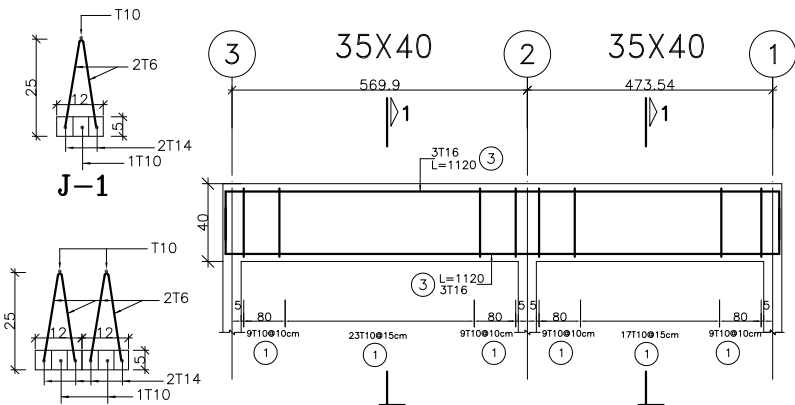
SEC. "1"
SC. 1:15

SEC. "2"
SC. 1:15



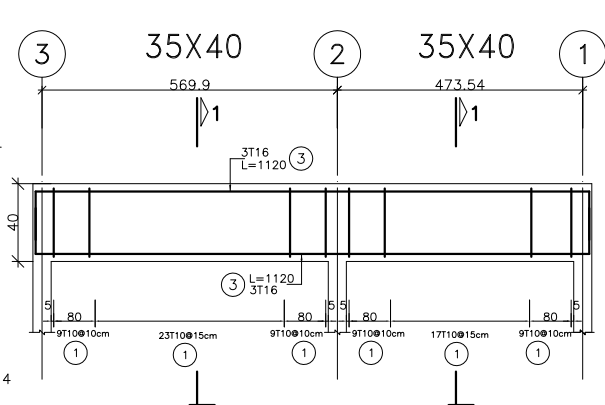
SEC. "3"
SC. 1:15

SEC. "4"
SC. 1:15

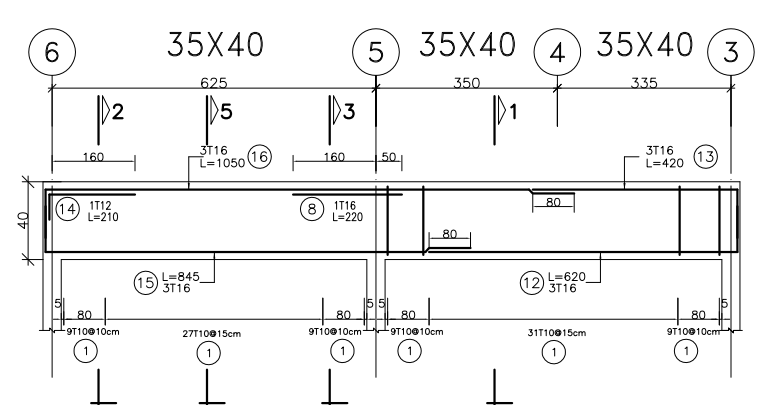


J-1

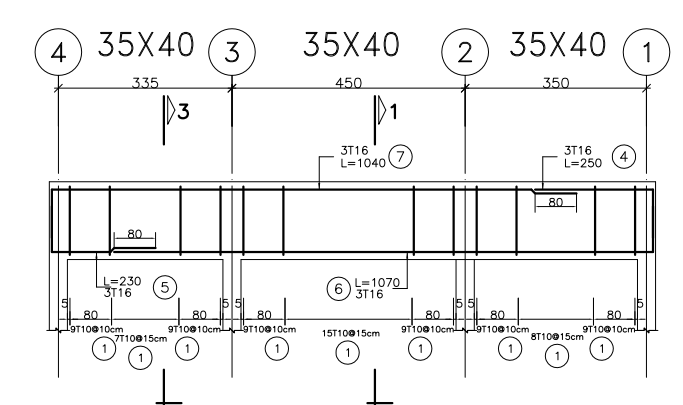
J-2



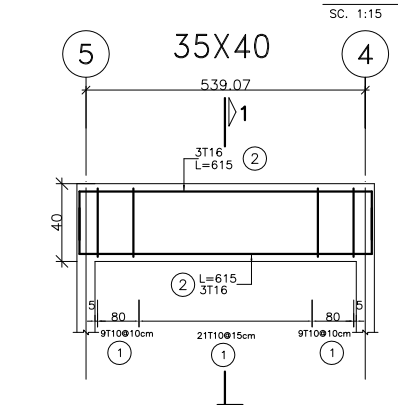
BEAM TYPE B-10
SC. H-1:75 V-1:20 NO.=1



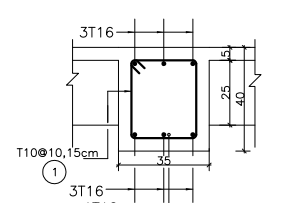
BEAM TYPE B-6
SC. H-1:75 V-1:20 NO.=1



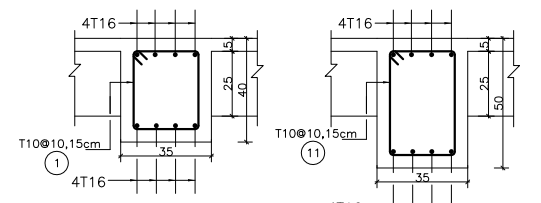
BEAM TYPE B-9
SC. H-1:75 V-1:20 NO.=1



BEAM TYPE B-11
SC. H-1:75 V-1:20 NO.=1

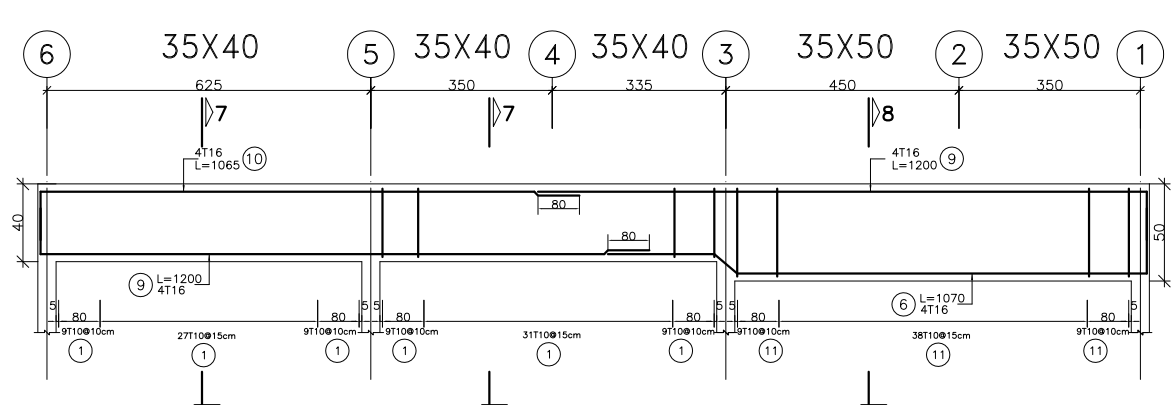


SEC. "5"
SC. 1:15

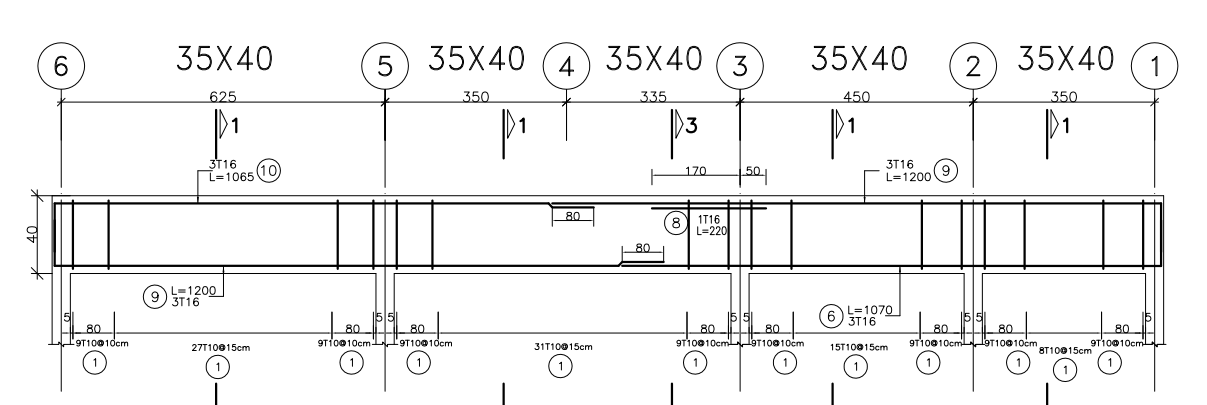


SEC. "7"
SC. 1:15

SEC. "8"
SC. 1:15

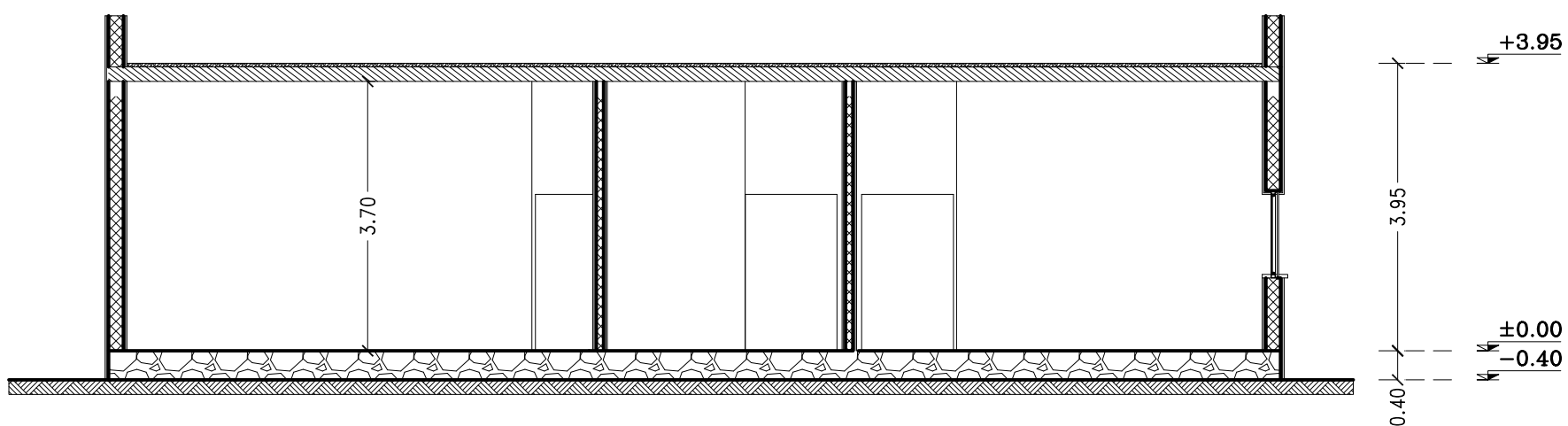
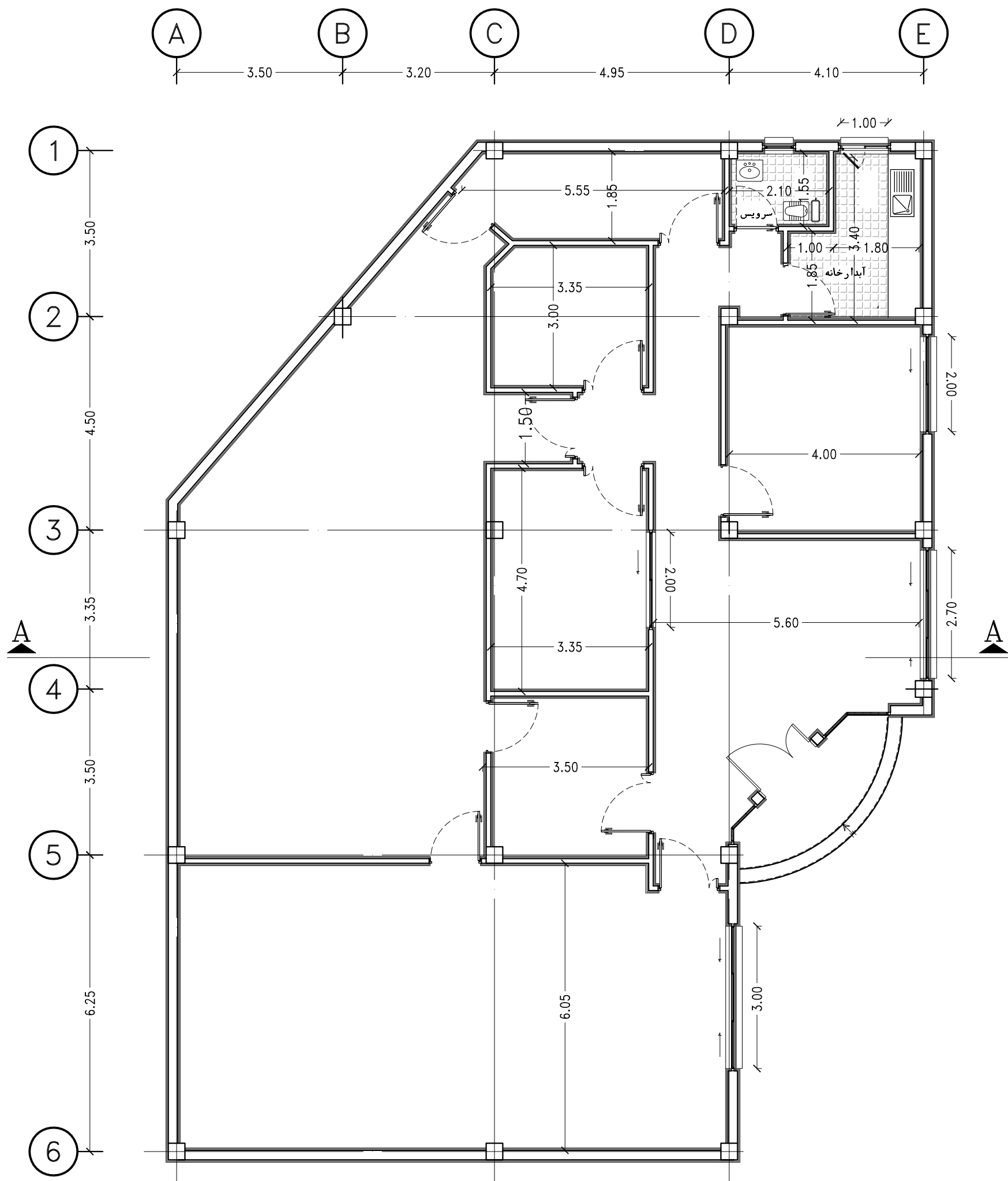


BEAM TYPE B-7
SC. H-1:75 V-1:20 NO.=1



BEAM TYPE B-8
SC. H-1:75 V-1:20 NO.=1

FRAMING LOCATION PLAN & BEAM TYPE & SEC.



SEC. A-A